



TRACKMAN

INSTALLATION INSTRUCTIONS



TRACKMAN iO

CONTENTS

English: Installation Instructions	3
Francais: Instructions de montage	21

CONTENTS

Getting started	3
Package contents	3
Definitions	3
Equipment needed (not included):	3
Space	4
Mounting types	5
Space requirements	5
Setup types	6
Installation mounting setup	6
Prerequisites	6
Mounting Type A installation process	6
Mounting Type B installation process	12
Powering up your Trackman iO	15
Your installed simulator room	16
Connecting your Trackman iO to a PC and the internet	17
Installing TPS (9.2 or later)	17
Connecting to your Trackman iO	18
Calibrating your Trackman iO	19
Mounting screw recommendations	20
Pluggable equipment	20
Updates and installation video	20

GETTING STARTED



PACKAGE CONTENTS

- 1 Trackman iO box
- 2 Calibration board
- 3 Trackman iO with protective foil and mounting plate
- 4 Power cable (country specific)
- 5 Power adapter
- 6 Flashlight
- 7 4 pcs M6 12 mm screws for VESA 100x100 mount (NOT included) plus 2 pcs spare screws
- 8 Tee
- 9 Tee marker
- 10 USB stick (contains safety and conformity guide, intallation instructions and software)
- 11 3 pcs AAA Battery
- 12 Box contents and safety instructions
- 13 Ceiling bracket (attached to Trackman iO)

DEFINITIONS

LH: Left hand

RH: Right hand

Target point: A spot or line that indicates the preferred aiming direction

TPS: Trackman Performance Studio (PC Software)

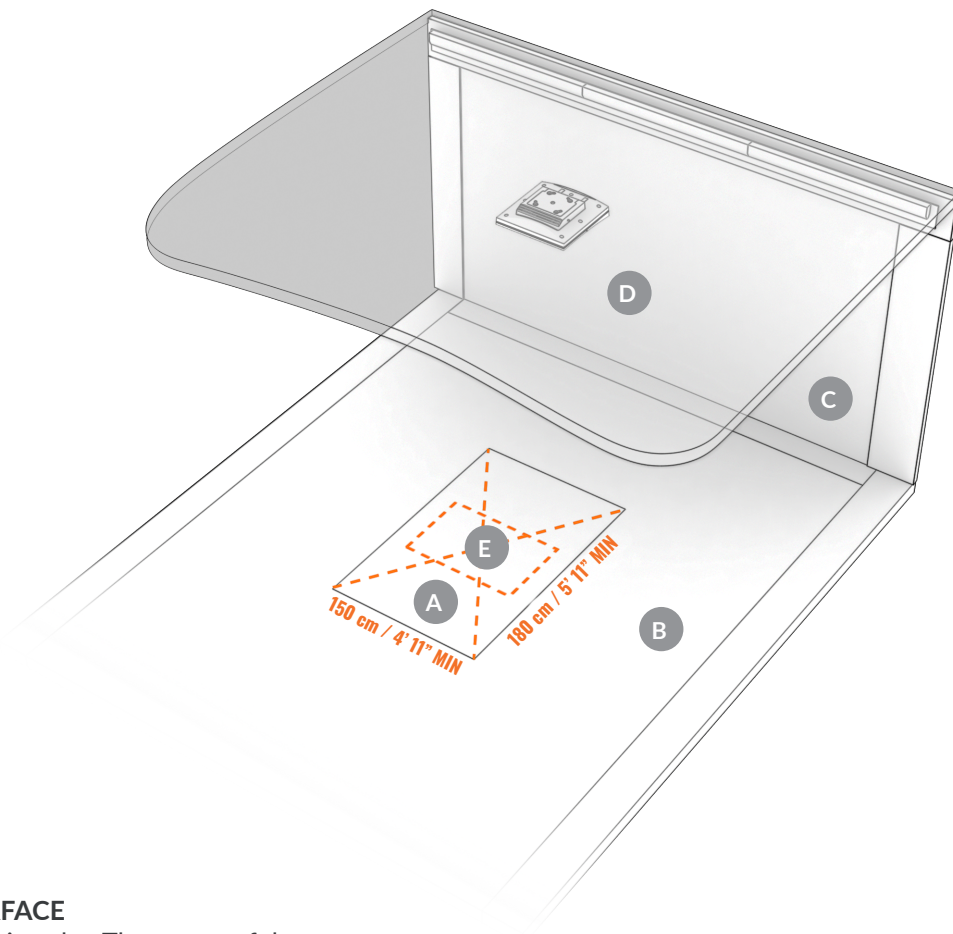
EQUIPMENT NEEDED (NOT INCLUDED):

- Ladder
- Pen or pencil
- Portable drill with ceiling surface-specific drill bits
- 4 pcs 4 mm x 30 mm ceiling surface-specific screws
- 4pcs 6mm x 35mm raw plugs (wall anchors)
- Blanket or towel
- Ethernet cable (minimum Cat6/shielded)
- 2 golf clubs or alignment sticks.
- Screwdriver (choose standard or Phillips based on the screws you are using)
- Bubble level

If you are not mounting your **Trackman iO** directly to the ceiling using the attached ceiling bracket, you will require additional equipment:

- VESA mount (100x100, with rotary joint and adjustable drop pole/bracket)
- Plumb line (or laser level, or heavy-duty tape measure)

THE SPACE



- A HITTING SURFACE**
Must be green in color. The center of the **HITTING SURFACE** must also be the center of the **TEE AREA**
- B FLOOR SURFACE**
- C HITTING SCREEN**
- D CEILING SURFACE**
- E TEE AREA 60 x 40cm / 2' x 16"**
You will be able to hit shots from this **TEE AREA** the center of which is indicated by the **tee marker**



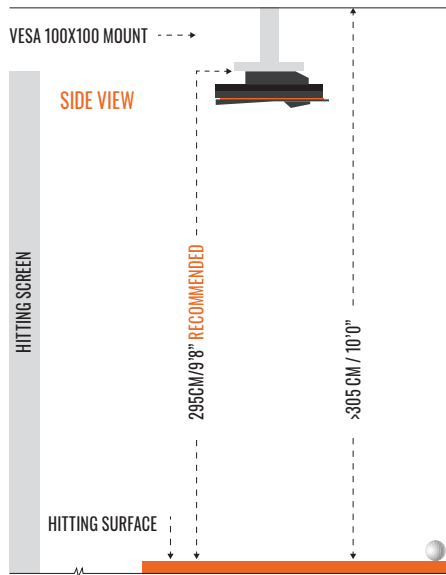
MOUNTING TYPES

- A. Direct ceiling mount
 - See section for **Mounting Type A installation process**
- B. VESA mount (100x100, with rotary joint and adjustable pole/bracket)
 - See section for **Mounting Type B installation process**

MOUNTING TYPE A



MOUNTING TYPE B



To ensure a functional system, select a mounting type for installing your Trackman iO:

- Use **Mounting Type A** (direct ceiling mount) when the distance between the **HITTING SURFACE** and the **CEILING SURFACE** is between 285 cm / 9'4" – 305 cm / 10'0" as listed in the Space requirements.
- If the distance between the **HITTING SURFACE** and **CEILING SURFACE** is greater than 305 cm / 10'0", use **Mounting Type B** VESA mount with adjustable pole/bracket set to the recommended mounting height of 295 cm / 9'8".

IMPORTANT Whichever mounting type you choose, both the **CEILING SURFACE** and the floor must be level. Installing your Trackman iO on a **CEILING SURFACE** that is not level will affect its performance.

SPACE REQUIREMENTS

- Top of **HITTING SURFACE** to mounting height (i.e, where **Trackman iO** is attached to the **CEILING SURFACE** or VESA mount)

Table 1 Mounting height of Trackman iO

Mounting Height (cm)	ft/in	Comments
305	10'00"	Max
295	9'8"	Recomended
285	9'4"	Min

- **TEE MARKER** position to **HITTING SCREEN** or net. (Recommended minimum distance)

Distance (cm)	ft/in	Comments
250	8'2"	Min

SETUP TYPES

- A. Projector and **HITTING SCREEN** setup
 - Image projected on **HITTING SCREEN** in front of player.
- B. PC screen and net setup
 - Image shown on separate monitor away from net.

Both mounting types can be used for either setup type A or B.

INSTALLATION MOUNTING SETUP

PREREQUISITES

IMPORTANT Keep the protective foil on your **Trackman iO** and do not insert the **power cable** until instructed.

MOUNTING TYPE A

INSTALLATION PROCESS

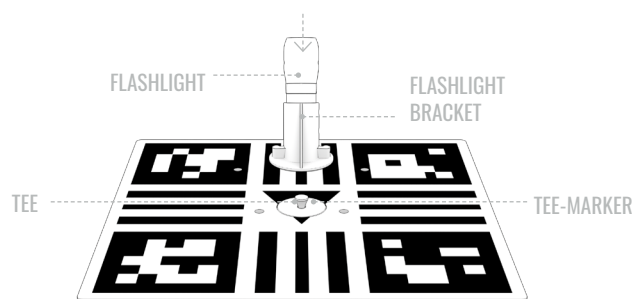
1. Place the **tee marker** at the preferred tee/ball position on the **HITTING SURFACE** at least 250cm/8'2" from the **HITTING SCREEN/net**. If your **HITTING SURFACE** allows, use the provided **tee** to fix the position of the **tee marker**.

IMPORTANT Do not remove the **tee marker** until the entire installation process is complete.

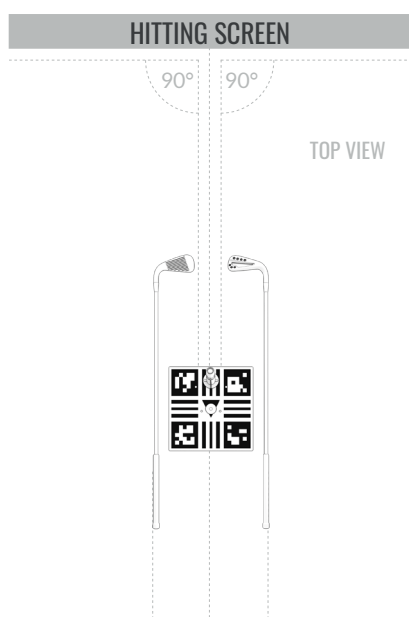
2. Install the **3 AAA batteries** in the **flashlight** and turn it on.

IMPORTANT Do not look directly into the light cone.

3. Push the rear end of the **flashlight** into the **flashlight bracket** of the **calibration board** until it stops.



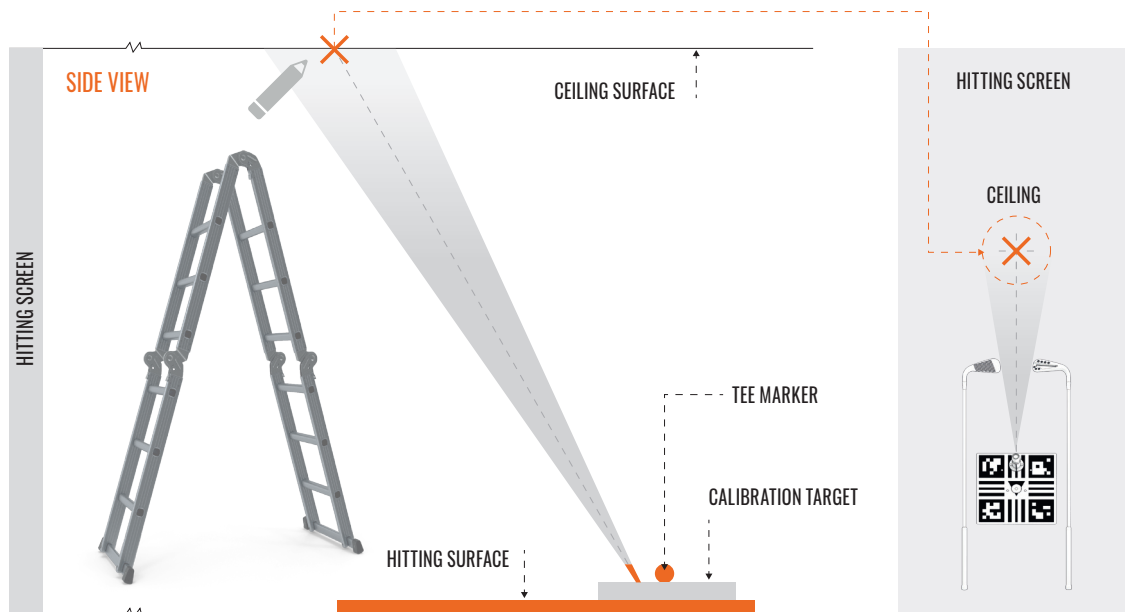
4. Set the **calibration board** on the **HITTING SURFACE** with the **tee marker** you placed in Step 1 in the center.
The side with the **flashlight** should be facing the **HITTING SCREEN/net**.
Using two **golf clubs** or **alignment sticks** on each side of the **calibration board**, align the **calibration board** with the preferred target point on the **HITTING SCREEN/net**.
Typically, the target point is the vertical center of the **HITTING SCREEN/net**.



The flashlight beam now indicates where your **Trackman iO** should be positioned at your **CEILING SURFACE**.

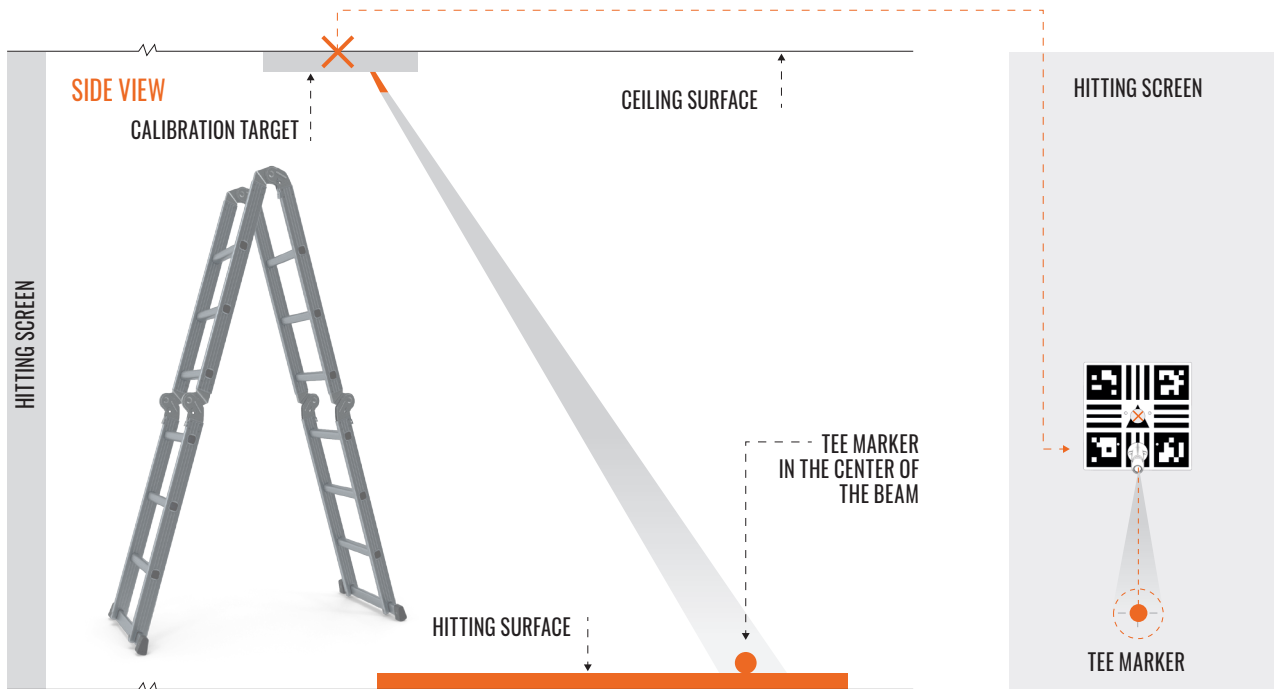
5. Climb the **ladder** and use the **pen/pencil** to draw an “X” on the **CEILING SURFACE** in the center of the flashlight beam.

IMPORTANT Have a person assist by supporting the ladder for safety.

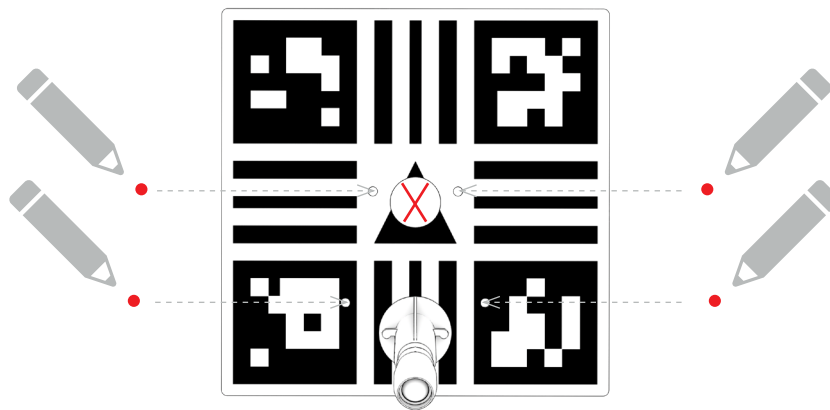


6. Now pick up the **calibration board/flashlight** from the floor and flip it so that the pattern is facing the floor. Hold the **calibration board** against the **CEILING SURFACE** so that the X you drew in Step 5 is positioned in the center hole. Make sure the **calibration board** is parallel to the **HITTING SCREEN/net**. The **tee marker** you placed in Step 1 should be in the center of the flashlight beam.

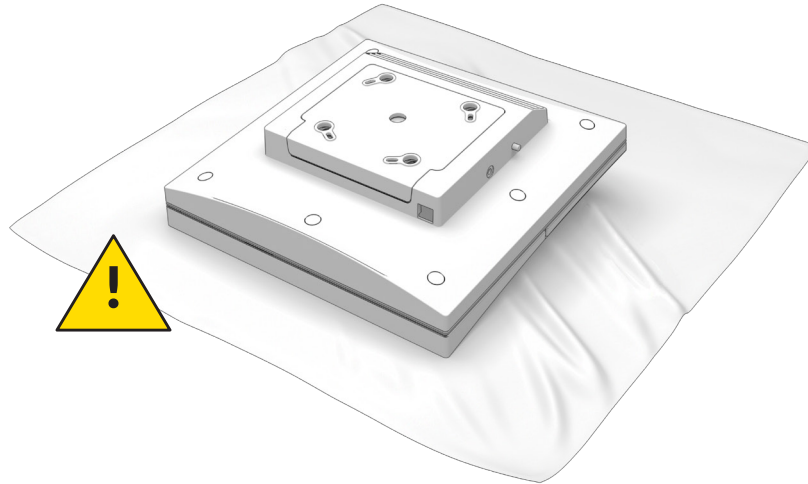
IMPORTANT Do not remove the **tee marker** until instructed.



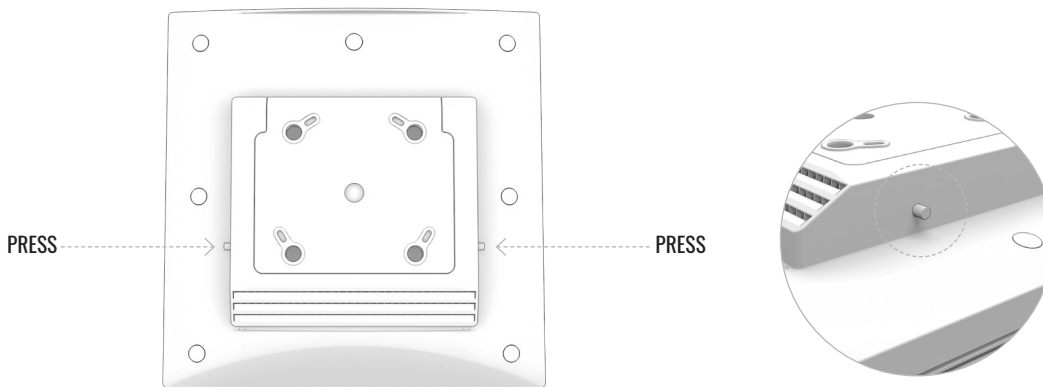
7. Use the pen/pencil to mark the four mounting holes in the **calibration board** on the **CEILING SURFACE**.



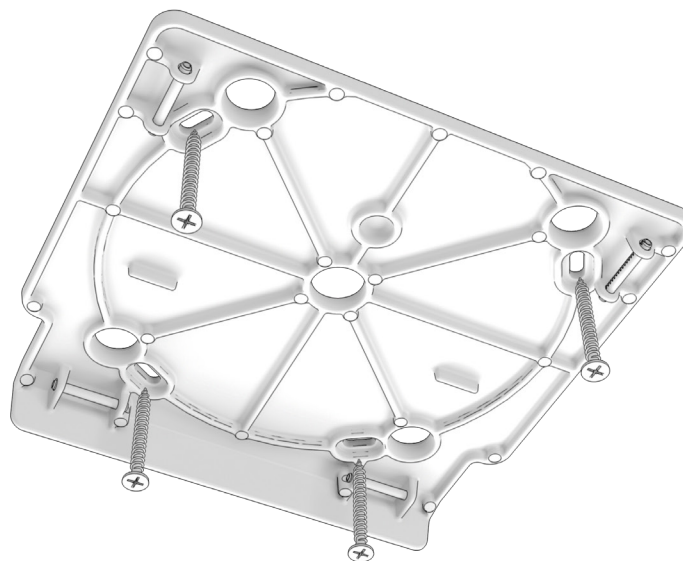
8. Remove the **calibration board** from the **CEILING SURFACE** and turn off the **flashlight**.
9. Choose appropriate **drill bit** size for your **rawplugs/wall anchors** and drill four holes. (Eg. concrete ceiling)
10. Insert a raw plug/wall anchor in each of the drilled holes.
11. Gently place your **Trackman iO** onto a blanket or towel with the back of the device facing up.



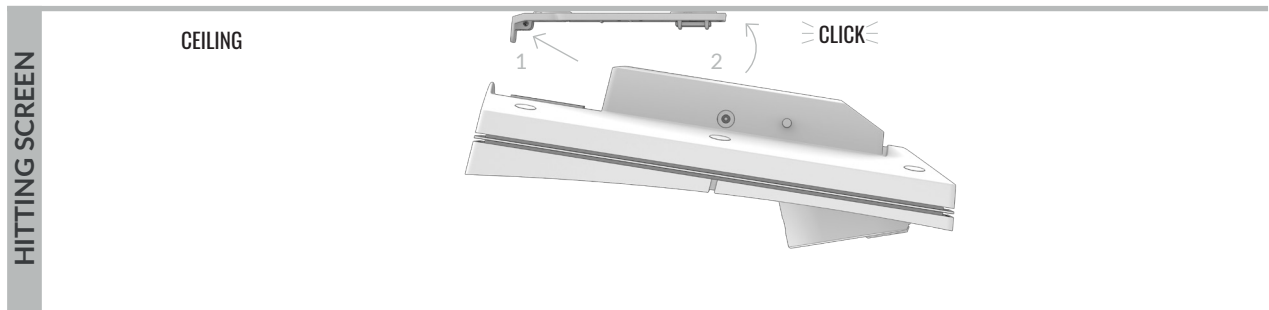
IMPORTANT Do not remove the protective foil on the front cover until instructed.



12. Remove the **ceiling bracket** from the back of your **Trackman iO** by simultaneously pressing the two release buttons/pins on each side of the bracket housing.
13. Mount the **ceiling bracket** on the **CEILING SURFACE** using four **screws** and the pill-shaped slots. Before tightening the **screws**, adjust the **bracket** as needed to make sure it is mounted parallel to the **HITTING SCREEN/net**. Do not overtighten.



14. Using both hands, mount your **Trackman iO** by lifting it at an angle toward the **ceiling bracket** and pushing it lightly in place until you hear a click. Do not let go of the unit until you are sure the lock has engaged.



IMPORTANT Hold the **Trackman iO** carefully in both hands when mounting it in the bracket.

15. Now it's time to complete the installation. Skip ahead to the "**Powering up your Trackman iO**" section.

MOUNTING TYPE B

INSTALLATION PROCESS

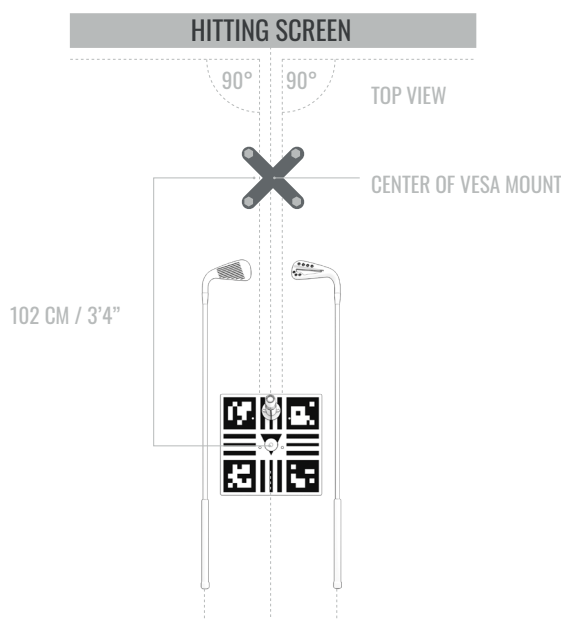
BEFORE YOU BEGIN: The following steps will show you how to use your preferred **tee marker** location to determine the proper position of the **VESA mount (100x100)** on the **CEILING SURFACE**. For best results, the adjustable pole/bracket on the **VESA mount** should be set to the recommended mounting height of 295 cm / 9'8". Please read these instructions carefully and double-check your measurements to ensure they are within the guidelines.

RECOMMENDED: This process is best performed by two people.

1. Place the **tee marker** at the preferred tee/ball position on the **HITTING SURFACE** at least 250cm/8'2" from the **HITTING SCREEN**/net. If your **HITTING SURFACE** allows, use a tee to fix the position of the **tee marker**.

IMPORTANT Do not remove the **tee marker** until the entire installation process is complete.

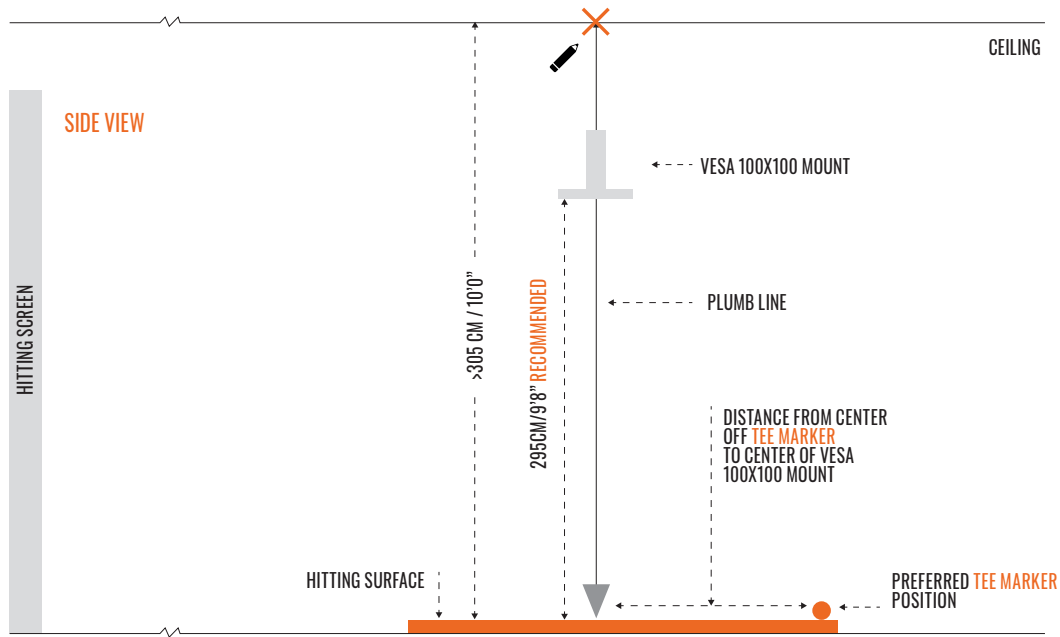
2. Set the **calibration board** on the **HITTING SURFACE** with the tee marker in the center. Using two **golf clubs** or **alignment sticks** on each side of the **calibration board**, align the **calibration board** with the preferred target point on the **HITTING SCREEN**/net. Typically, the target point is the vertical center of the **HITTING SCREEN**/net.
3. From the center of the tee marker, measure 102 cm / 3'4" in the direction of the target point on the **HITTING SCREEN**/net. Mark this spot with an X. This spot represents the center of the **VESA mount** that will be installed on the ceiling directly above.



IMPORTANT Have a person assist by supporting the ladder for safety.

4. Now climb the ladder until you can comfortably and safely reach the **CEILING SURFACE**. Use a **plumb line** (see NOTE below) extending between the **CEILING SURFACE** and the **HITTING SURFACE** to identify the spot on the **CEILING SURFACE** directly above the X you marked in Step 3. Mark this spot on the **CEILING SURFACE** with an X.

NOTE: A **plumb line**, also called a **plumb bob**, is a length of line or string with a weight attached to the bottom, usually with a pointed tip. It is used as a vertical reference line. You may also use a laser level. (If you do not have access to either of these tools, you may use a heavy duty tape measure; hold the end of the tape to the **CEILING SURFACE**, then extend the case to the **HITTING SURFACE**. If using this method, you should also use a level to ensure the tape is vertical.)



5. Position the base of the **VESA mount** on the **CEILING SURFACE** so that the center of the adjustable pole extends from the center of the X you marked in Step 4. Attach the base of the **VESA mount** to the **CEILING SURFACE** following manufacturer’s instructions.
6. Adjust the pole on the **VESA mount** so that the bracket that attaches to your **Trackman iO** is set to the recommended mounting height of 295 cm / 9’8” as shown in Table 2 (see NOTE below).

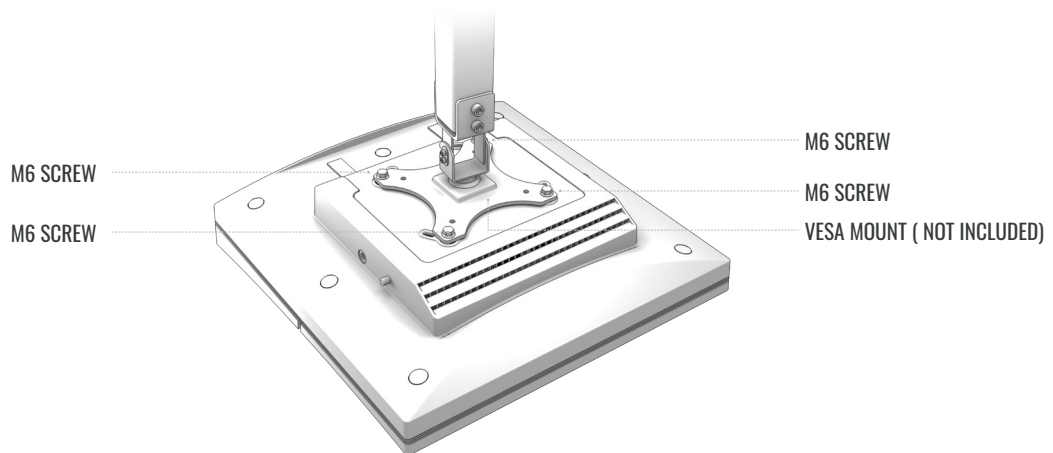
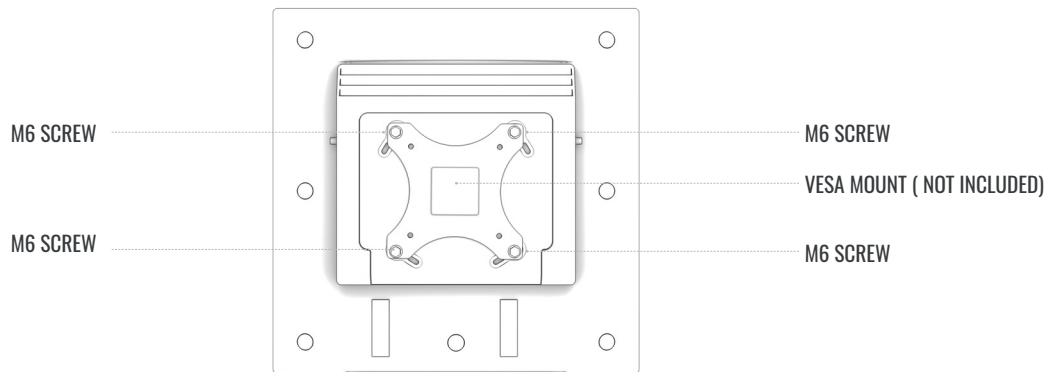
NOTE: Table 2 shows the relation between the mounting height and the proper position of the **tee marker** on the **HITTING SURFACE**. Please note that if the mounting height is higher or lower than recommended (but still within the guidelines), you may need to adjust the position of the **tee marker** slightly. If your **Trackman iO** is not installed according to the guidelines in Table 2, it may not function properly.


Distance from center of tee marker to center of VESA mount		Mounting height (cm) /(ft/in)		Comments
cm	ft/in	cm	ft/in	
105	3’5”	305	10’0	Max.
102	3’4”	295	9’8”	Recommened
98.5	3’3”	285	9’4”	Min.

Table 2 Distance from Tee Marker to center of VESA Mount

IMPORTANT Have a person assist you fastening the 4 pcs M6 screws while holding the Trackman iO in both hands.

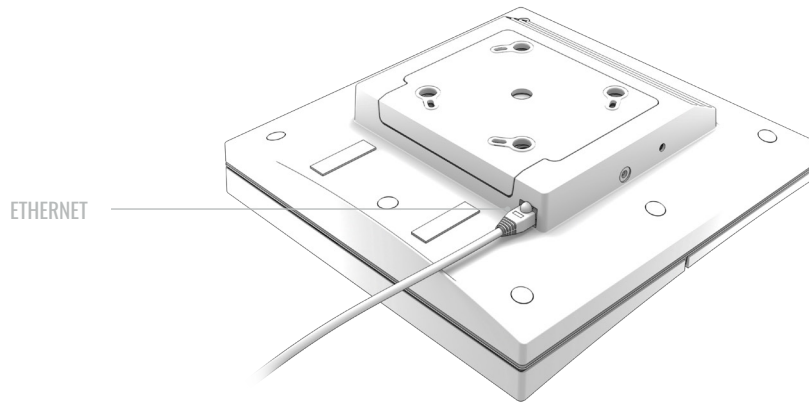
7. Attach your Trackman iO to the VESA mount bracket using the supplied 4 pcs. M6 screws and tighten.



8. Ensure the VESA mount is level  and your Trackman iO is aligned with the HITTING SCREEN.

POWERING UP YOUR TRACKMAN iO

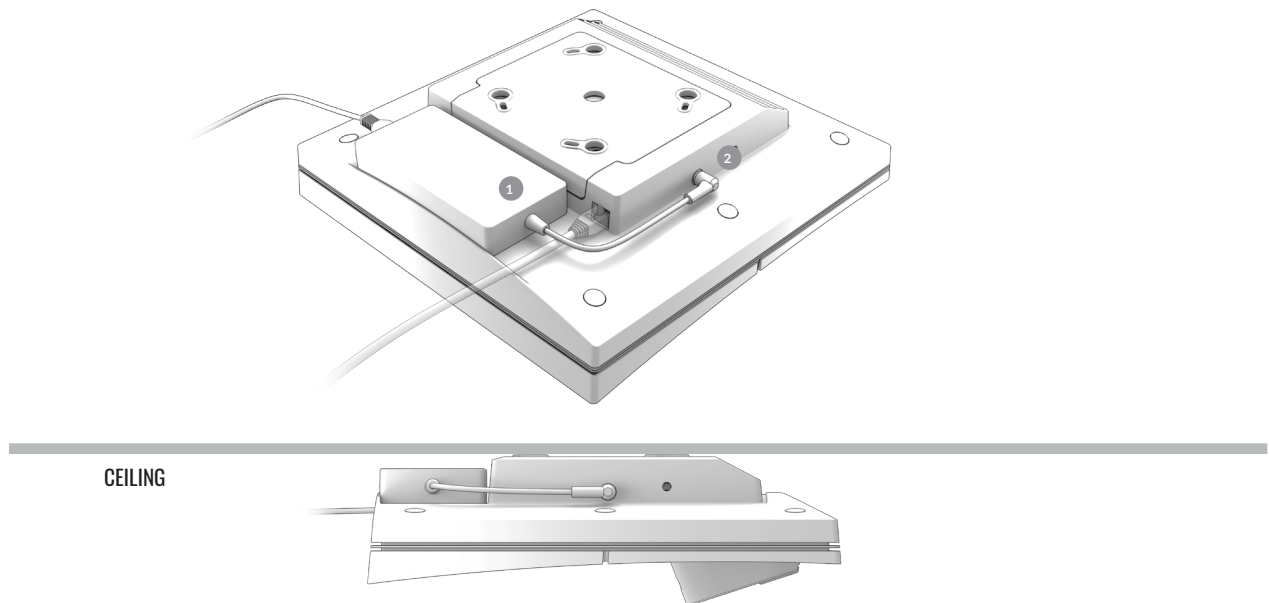
1. Once your Trackman iO is securely mounted, plug the **ethernet cable** into the ethernet port.



IMPORTANT

If your Trackman iO is mounted directly to the ceiling, use caution as there will be limited space when plugging in the **ethernet cable**.

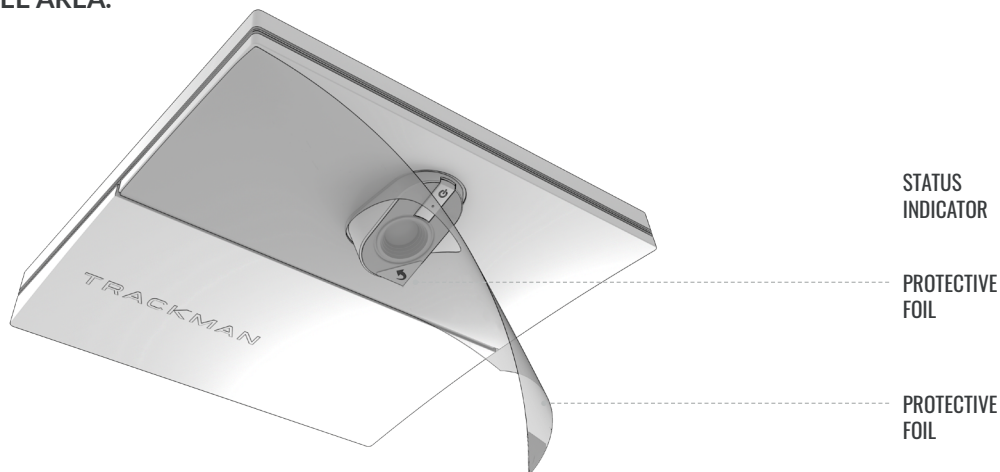
2. Connect the **AC/DC power adapter** to your Trackman iO.
 - Connect mains powercable to **AC/DC adapter**.
 - Place the adapter on the shelf of the Trackman iO **1**.
 - Plug the DC connector into DC power plug on the side of Trackman iO **2**.
 - Make sure the adapter is fastened to your Trackman iO by the Velcro strips.



IMPORTANT

Be sure to disconnect the **AC/DC adapter** before unmounting the Trackman iO.

- Now peel off the protective foils from the front and the lens of your **Trackman iO**. You can now also remove the **tee marker** from the **TEE AREA**.

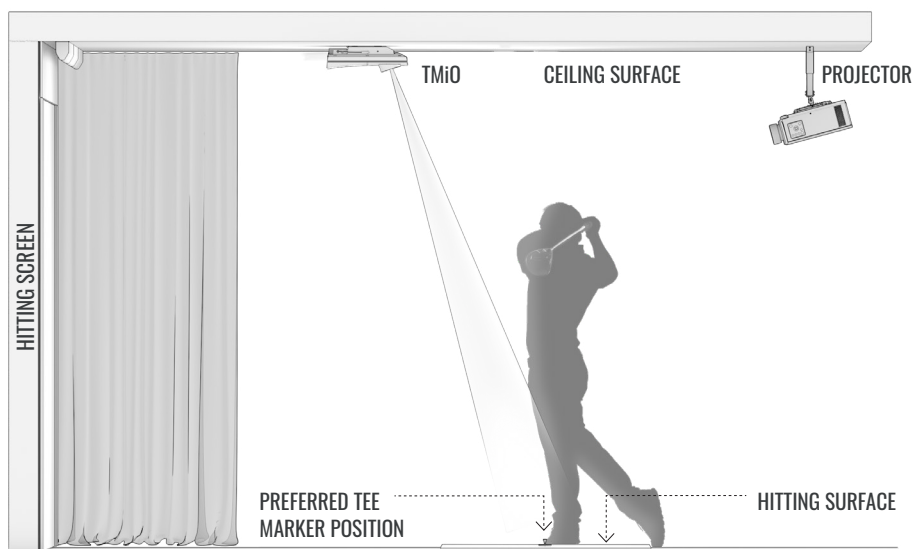


- Connect the power plug from the **AC/DC adapter** into an appropriate outlet and your **Trackman iO** will turn on. The status indicator lights will display the current status as shown in Table 3.

State		
Booting	Blinking green	
Ready (no PC connected)	Pulsating green	
Active (PC/TPS connected)	Solid green	
Recovery mode	Blinking green/red	
No Network connection	Blinking yellow	
Error	Blinking red	

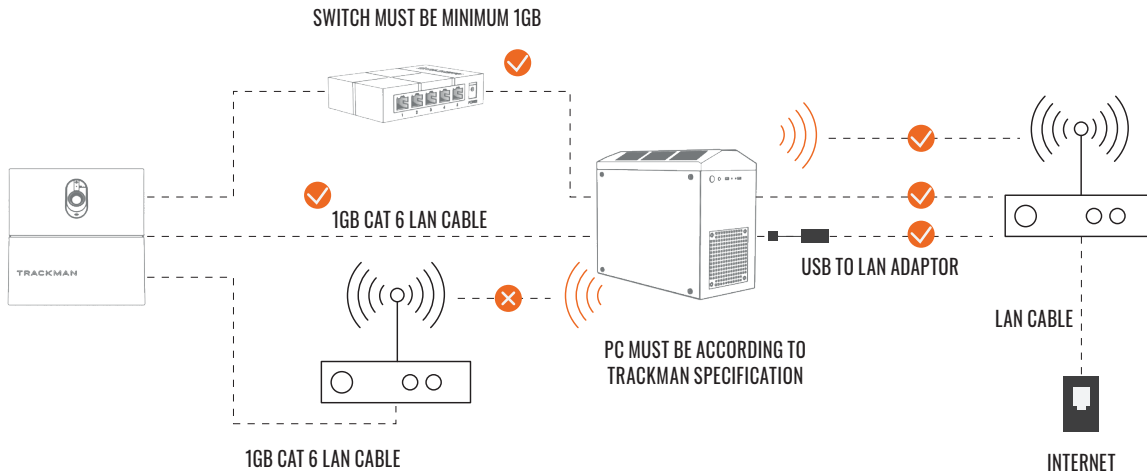
Table 3. The *Trackman iO* status indicator

YOUR INSTALLED SIMULATOR ROOM



IMPORTANT Your **Trackman iO** must be oriented as shown above.

CONNECTING YOUR TRACKMAN iO TO A PC AND THE INTERNET



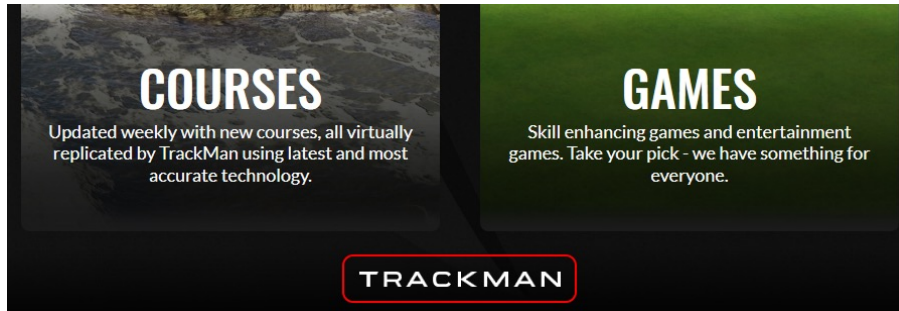
PC minimum requirements and recommended internet connection minimum upload/download.
For further information visit <https://www.Trackman.com/support>

INSTALLING TPS (9.2 OR LATER)

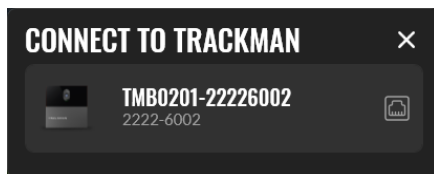
1. Ensure Windows is fully updated.
 - Keep installing any pending updates and then press check for updates on the Windows Update settings page until no more updates are available. Reboot if necessary.
- 2: Install the TPS version from the USB stick.

CONNECTING TO YOUR TRACKMAN iO

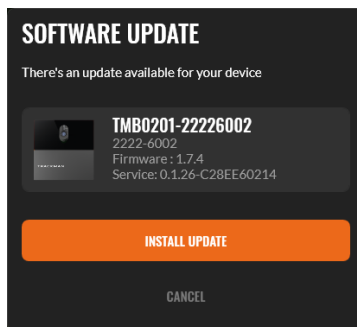
1. Turn off any other Trackman device normally connected to the system to avoid TPS auto-connecting to it.
2. Launch TPS and wait for it to load
3. Click the Trackman logo at the bottom of the screen.



4. You should be presented with a screen showing the Trackman iO as available.



5. Select it.
7. You may see a screen informing you about a license update to the device. **Press OK.**
8. You should be presented with a screen informing you that a software update is available for the device.



9. Press the button and wait while TPS downloads the required software to the computer.

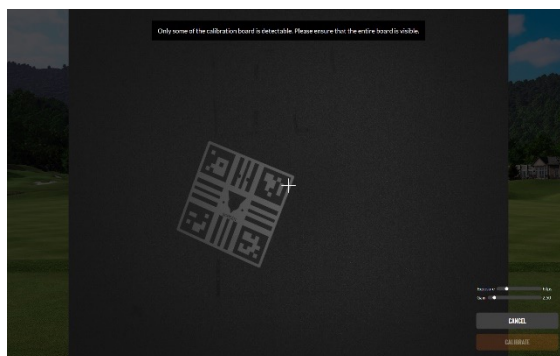
CALIBRATING YOUR TRACKMAN iO

Your Trackman iO needs to be calibrated to know its position in the room relative to the **TEE AREA** and the **HITTING SCREEN**.

After connecting to your Trackman iO, you should be presented with a screen showing an image from one of the cameras in your Trackman iO.



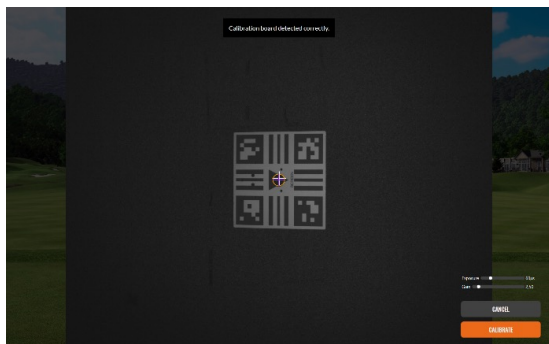
Alignment camera showing **HITTING SCREEN**



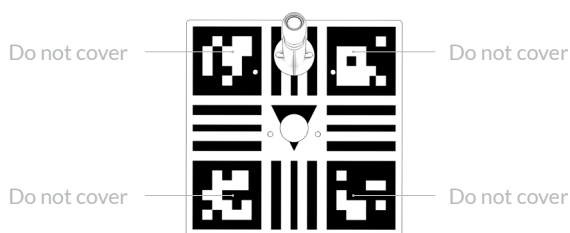
Main camera showing **TEE AREA**

If your Trackman iO has never been calibrated before it will show a view of the **TEE AREA** automatically

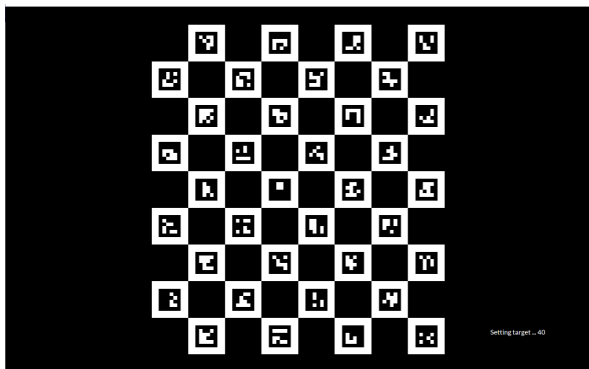
- 1: Do you see a view of the **TEE AREA**?
 - a. No: Press "Calibrate"
 - b. Yes: Proceed
- 2: Place the supplied **calibration board** on the floor and position it in the center of the image. When placed correctly, you will see two crosses inside the hole in the board. The position of the hole indicates the optimal placement of the **tee marker**.



- 3: Press "Calibrate"
- 4: Pick up the **calibration board** and hold it against the **HITTING SCREEN** without covering the four corner markers on the **calibration board**. Now calibrate the distance from the **TEE POSITION** to the **HITTING SCREEN**.



- 5: Press the autotarget button and wait for TPS to locate the center of the **HITTING SCREEN**.
The following pattern will appear on one or more of your displays until TPS locates the correct one.



- 6: Press “Continue”
You should now be ready to use your **Trackman iO** with TPS.

MOUNTING SCREWS RECOMMENDATIONS

Type	Diameter	Length	Environment
Screws	4 mm	30 mm	Ceiling mount Wood, plaster and concrete
Rawplugs	6 mm	35 mm	VESA 100x100 mount (Bracket)
Screws	6 mm	12 mm	VESA 100x100 mount (Drop pole)

PLUGGABLE EQUIPMENT

The system can be used in both pluggable equipment type A. In both situations the socket-outlet shall be installed near the equipment, shall be easily accessible and must always include a Grounded connection.

For Pluggable Equipment Type A, the protection in the installation must be max 20A (USA, Canada, Japan), max 13A (UK, EU).

UPDATES AND INSTALLATION VIDEO

Future updates of the these instructions can be downloaded at <https://www.Trackman.com/support>.

Scan the QR code to watch an animated installation video.
You can also find the video at www.trackman.com/support.





TRACKMAN

INSTRUCTION*i*ONS DE MONTAGE

TRACKMAN *i*O

SOMMAIRE

Démarrage	23
Contenu de l'emballage	23
Définitions	23
Équipement nécessaire (non inclus dans la livraison) :	23
Espace :	24
Types de fixation	25
Encombrement	25
Types de configuration	26
Configuration de fixation pour le montage	26
Conditions préalables	26
Processus de montage de la fixation de type A	26
Processus de montage de la fixation de type B	35
Mise en marche de votre Trackman iO	36
Votre pièce de simulation installée	37
Connexion de votre Trackman iO à un PC et à Internet	38
Installation TPS (9,2 ou version ultérieure)	38
Connexion à votre Trackman iO	39
Étalonnage de votre Trackman iO	39
Recommandations pour les vis de fixation	40
Équipement à brancher	40
Mises à jour et vidéos de montage	40

DÉMARRAGE



CONTENU DE L'EMBALLAGE

- 1 Boîtier Trackman iO
- 2 Panneau d'étalonnage
- 3 Trackman iO avec film de protection et plaque de montage
- 4 Câble d'alimentation (propre au pays)
- 5 Adaptateur secteur
- 6 Lampe torche
- 7 4 vis M6 de 12 mm pour fixation VESA 100 x 100 (NON inclus dans la livraison) plus 2 vis de rechange
- 8 Tee
- 9 Marqueur tee
- 10 Clé USB (contient un guide de sécurité et de conformité, des instructions de montage et le logiciel)
- 11 3 piles AAA
- 12 Contenu du boîtier et consignes de sécurité
- 13 Support de plafond (rattaché à Trackman iO)

DÉFINITIONS

LH : Coté gauche (LH)

RH : Coté droit (RH)

Point cible : Un point ou une ligne qui indique la direction visée préférée

TPS : Trackman Performance Studio (logiciel pour PC)

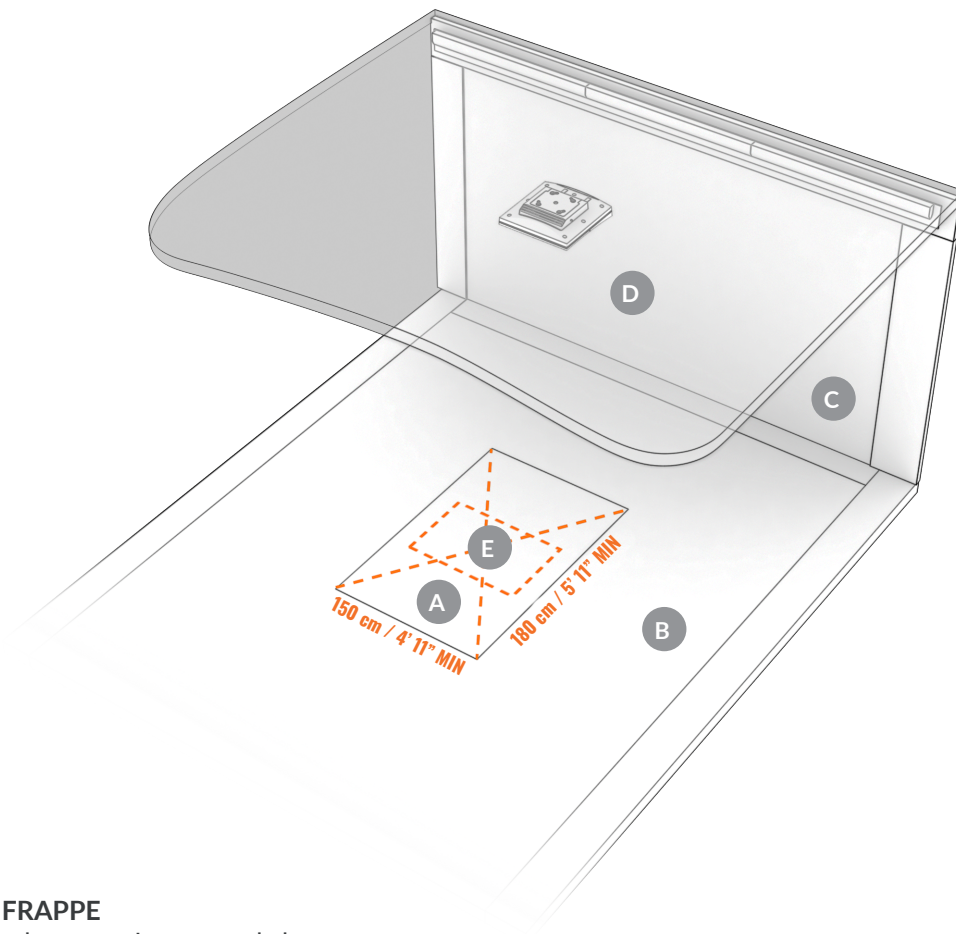
ÉQUIPEMENT NÉCESSAIRE (NON INCLUS DANS LA LIVRAISON) :

- Échelle
- Stylo ou crayon
- Perceuse portable avec forets pour surface de plafond
- 4 vis 4 mm x 30 mm pour surface de plafond
- 4 chevilles 6 mm x 35 mm (ancrages muraux)
- Couverture ou serviette
- Câble Ethernet (minimum Cat6/blindé)
- 2 clubs de golf ou baguettes d'alignement.
- Tournevis (choisir un tournevis standard ou Phillips en fonction des vis que vous utilisez)
- Niveau à bulle

Si vous décidez de ne pas fixer directement votre Trackman iO au plafond à l'aide du support prévu à cet effet, vous devrez acquérir du matériel supplémentaire.

- Fixation VESA (100 x 100, avec articulation rotative et tige/support réglable)
- Fil à plomb (ou niveau laser, ou mètre-ruban très résistant)

L'ESPACE



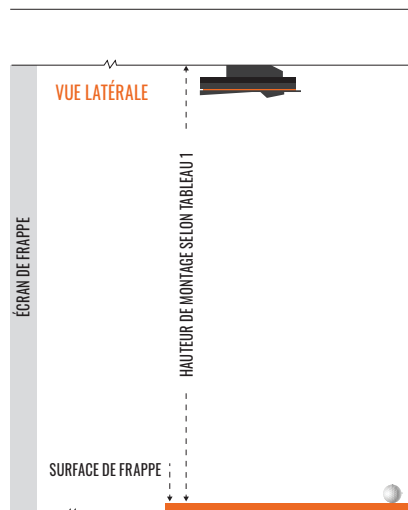
- A SURFACE DE FRAPPE**
Doit être de couleur vert. Le centre de la **SURFACE DE FRAPPE** doit également être le centre de la **ZONE TEE**
- B SURFACE DU PLANCHER**
- C ÉCRAN DE FRAPPE**
- D SURFACE DU PLAFOND**
- E ZONE TEE 60 x 40 cm / 2' x 16"**
Vous allez pouvoir frapper des coups depuis cette **ZONE TEE** dont le centre est indiqué par le **marqueur tee**



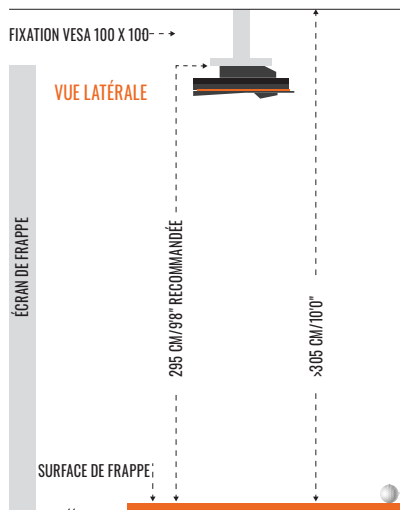
TYPES DE FIXATION

- A. Fixation au plafond
 - Voir la section pour le **Processus de montage de la fixation de type A**
- B. Fixation VESA (100 x 100, avec articulation rotative et tige/support réglable)
 - Voir la section pour le **Processus de montage de la fixation de type B**

TYPE DE FIXATION A



TYPE DE FIXATION B



CÔTÉ B

Pour garantir le bon fonctionnement du système, sélectionner un type de fixation pour monter votre Trackman iO :

- Utiliser le **type de fixation A** (fixation au plafond) lorsque la distance entre la **SURFACE DE FRAPPE** et la **SURFACE DU PLAFOND** est comprise entre 285 cm/9'4" et 305 cm/10'0" comme indiqué dans l'encombrement.
- Si la distance entre la **SURFACE DE FRAPPE** et la **SURFACE DU PLAFOND** est supérieure à 305 cm/10'0", utilisez la fixation VESA **Type de fixation B** avec tige/support réglable fixé(e) à la hauteur de montage recommandée de 295 cm/9'8".

IMPORTANT

Quel que soit le type de fixation choisie, la **SURFACE DU PLAFOND** et le plancher doivent être à niveau. Si vous installez votre Trackman iO sur une surface de plafond qui n'est pas parfaitement de niveau, cela aura un impact sur ses performances.

ENCOMBREMENT

- Haut de la **SURFACE DE FRAPPE** à la hauteur de montage (c'est-à-dire là où **Trackman iO** est fixé à la **SURFACE DE PLAFOND** ou à la fixation VESA)

Tableau 1 Hauteur de montage du Trackman iO

Hauteur de montage (cm)	pi/po	Commentaires
305	10'00"	au maximum
295	9'8"	recommandé
285	9'4"	au minimum

- Position du **MARQUEUR TEE** sur **L'ÉCRAN DE FRAPPE** ou réseau. (Distance minimale recommandée)

Distance (cm)	pi/po	Commentaires
250	8'2"	au minimum

TYPES DE CONFIGURATION

- A. Configuration du projecteur et de l'ÉCRAN DE FRAPPE
 - Image projetée sur l'ÉCRAN DE FRAPPE devant le joueur.
- B. Écran d'ordinateur et configuration réseau
 - Image affichée sur un écran de contrôle séparé éloigné du réseau.

Les deux types de fixation peuvent être utilisés pour le type de configuration A ou B.

CONFIGURATION DE FIXATION POUR LE MONTAGE

CONDITIONS PRÉALABLES

IMPORTANT

Garder le film de protection sur votre **Trackman iO** et ne pas insérer le **câble d'alimentation** avant d'avoir reçu d'instruction à cet effet.

TYPE DE FIXATION A

PROCESSUS DE MONTAGE

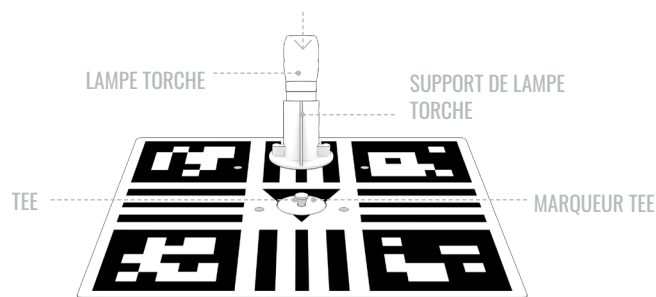
1. Positionner le marqueur tee sur la zone de frappe à l'endroit souhaité pour que la balle/tee, à une distance minimale de 250 cm/8'2» de l'écran de frappe/réseau. Si votre **ZONE DE FRAPPE** le permet, utilisez le tee fourni pour maintenir en place la position du **marqueur tee**.

IMPORTANT Ne pas retirer le **marqueur tee** tant que le processus de montage n'est pas terminé.

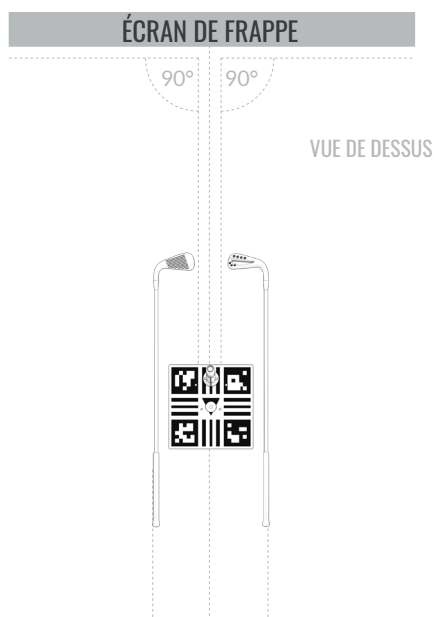
2. Insérez les **3 piles AAA** dans la **lampe torche** et allumez-la.

IMPORTANT Ne pas regarder directement dans le cône lumineux.

3. Pousser l'extrémité arrière de la **lampe torche** dans le **support de la lampe torche du panneau d'étalonnage** jusqu'à ce qu'elle s'arrête.



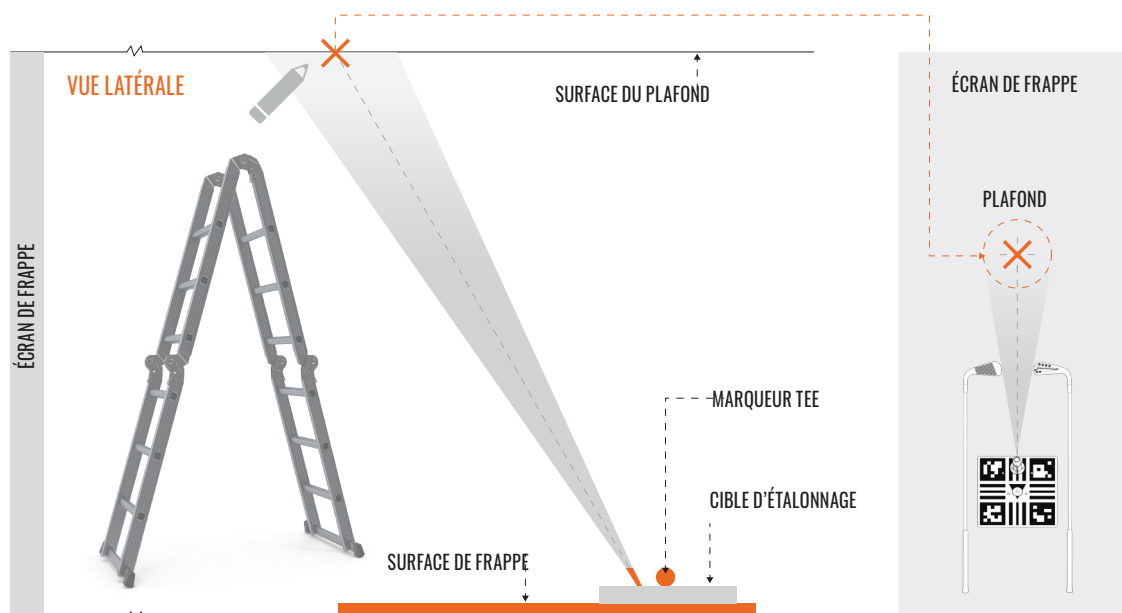
4. Poser le **panneau d'étalonnage** sur la **ZONE DE FRAPPE** avec le **marqueur tee** que vous avez placé à l'étape 1 au centre.
Le côté avec la **lampe torche** doit être orienté vers l'**ÉCRAN DE FRAPPE**/réseau.
À l'aide de deux **clubs de golf** ou **baguette d'alignement** de chaque côté du **panneau d'étalonnage**, aligner le **panneau d'étalonnage** avec le point cible préféré sur l'**ÉCRAN DE FRAPPE**/réseau.
Généralement, le point cible est le centre vertical de l'**ÉCRAN DE FRAPPE**/réseau.



Le faisceau de la lampe torche indique maintenant où votre **Trackman iO** doit être positionné sur votre **SURFACE DE PLAFOND**.

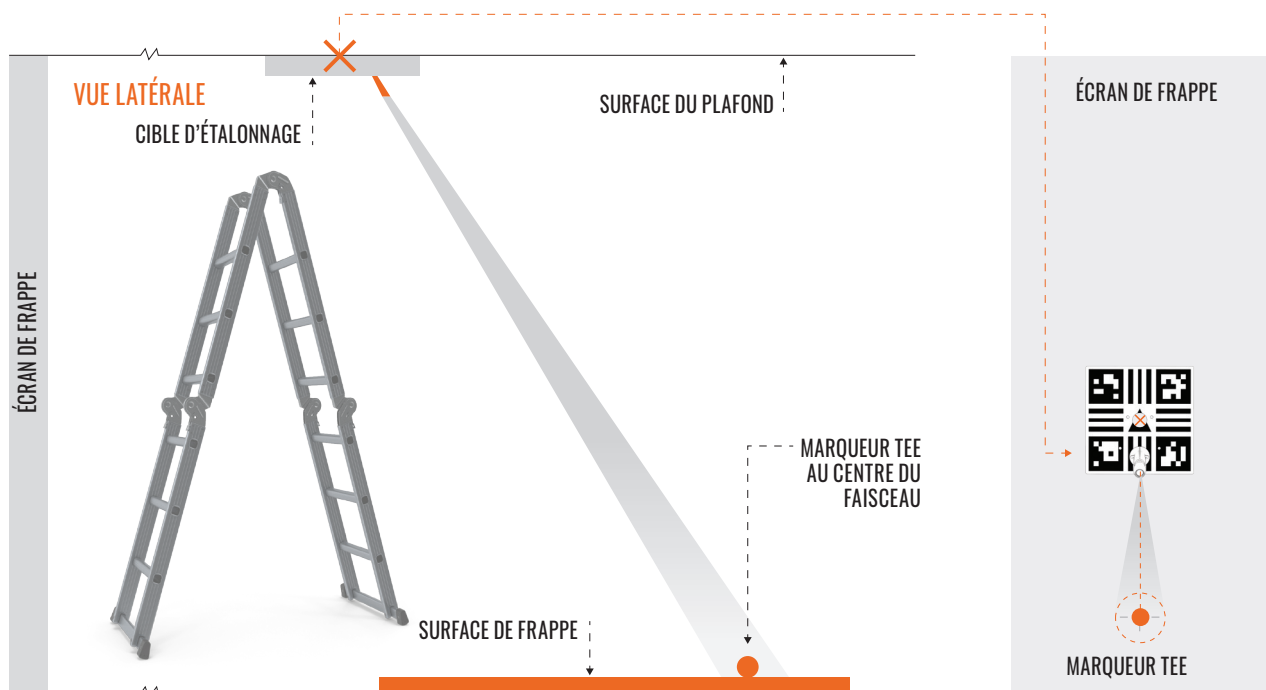
5. Monter sur l'échelle et utiliser le stylo/crayon pour dessiner un « X » sur la **SURFACE DU PLAFOND** au centre du faisceau de la lampe torche.

IMPORTANT Demander à une personne de vous aider en soutenant l'échelle pour des raisons de sécurité.

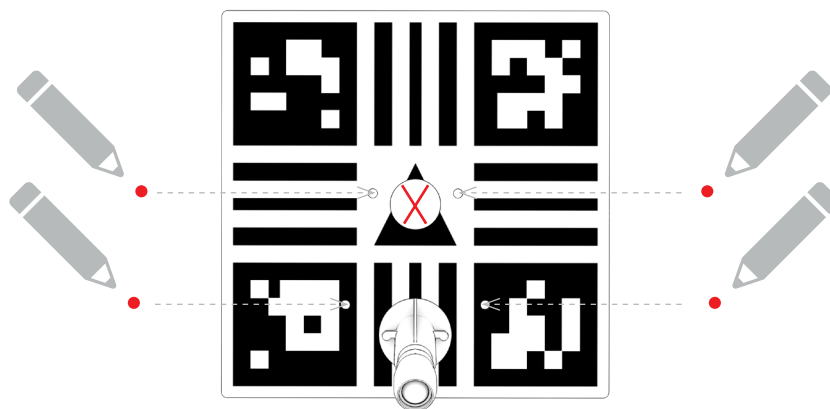


6. Ramasser maintenant le panneau d'étalonnage ou la lampe torche depuis le sol et retournez-le de manière à ce que le motif soit orienté vers le bas. Maintenez le panneau d'étalonnage contre la **SURFACE DU PLAFOND** de manière à ce que le X que vous avez dessiné à l'étape 5 soit aligné avec le trou central. Assurez-vous que le panneau d'étalonnage soit parallèle à l'**ÉCRAN DE FRAPPE** ou au réseau. Le marqueur tee que vous avez placé à l'étape 1 doit se trouver au centre du faisceau de la lampe torche.

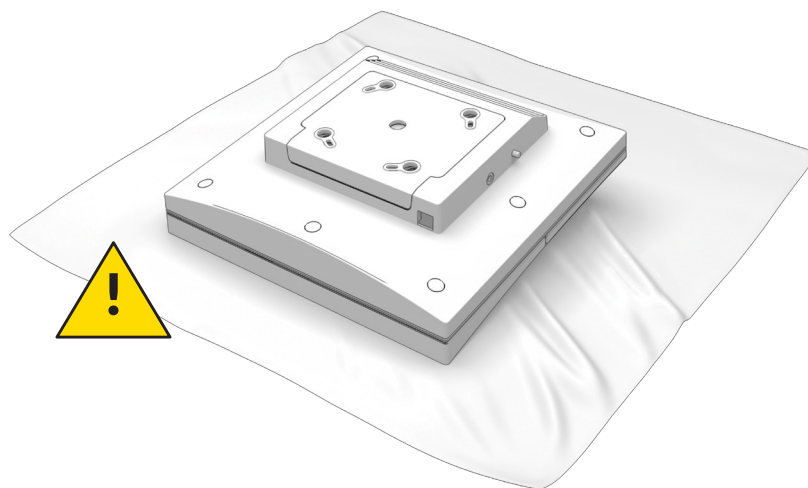
IMPORTANT Ne pas retirer le **marqueur tee** avant d'avoir reçu d'instruction à cet effet.



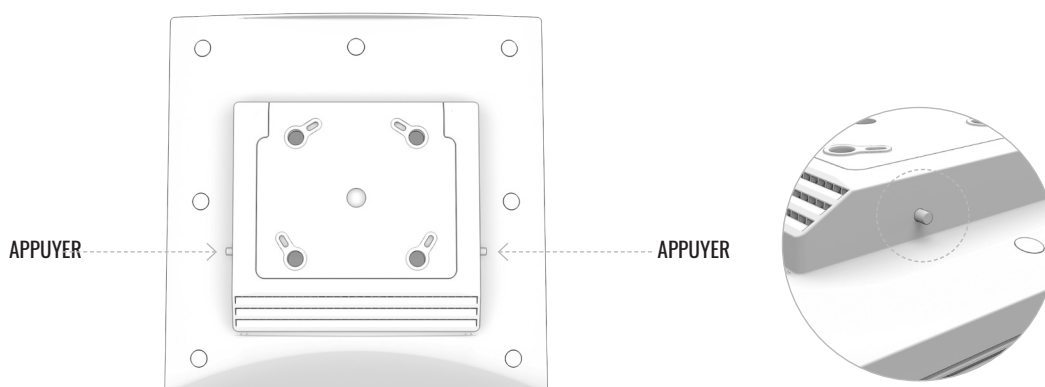
7. À l'aide du stylo/crayon, marquer les quatre trous de fixation dans le **panneau d'étalonnage** sur la **SURFACE DE PLAFOND**.



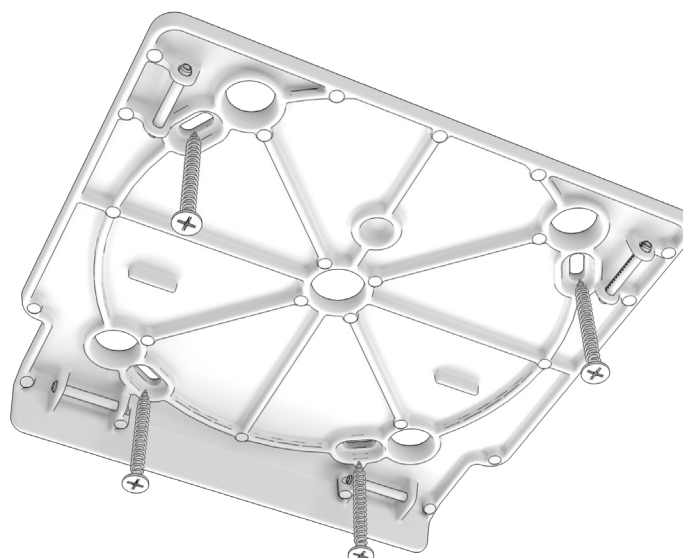
- 8 Retirer le **panneau d'étalonnage** de la **SURFACE DU PLAFOND** et éteindre la **lampe torche**.
9. Choisir la taille de **foret** adaptée à vos **chevilles/ancrages muraux** et percer quatre trous.
(Par exemple : plafond en béton)
10. Insérer une cheville/un ancrage mural dans chacun des trous percés.
11. Placer délicatement votre **Trackman iO** sur une couverture ou une serviette avec l'arrière de l'appareil vers le haut.



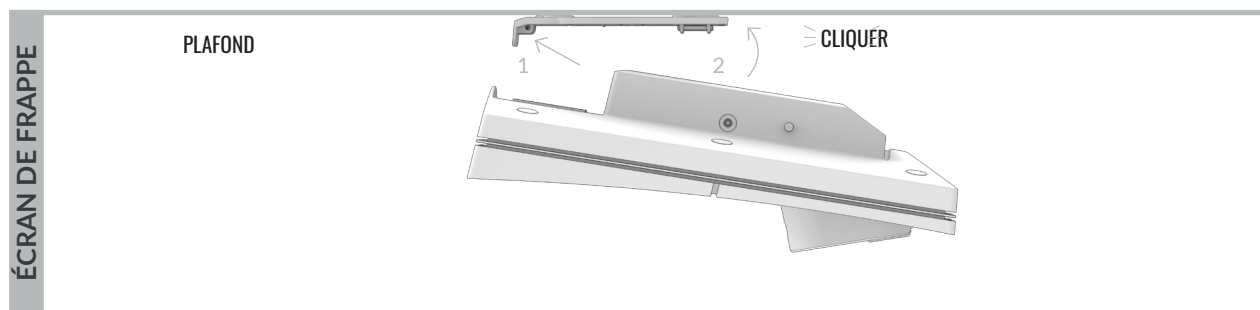
IMPORTANT Ne pas retirer le film de protection sur le capot avant sans avoir reçu d'instruction à cet effet.



12. Retirer le **support de plafond** à l'arrière de votre **Trackman iO** en appuyant simultanément sur les deux boutons/ goupilles de déverrouillage de chaque côté du boîtier du support.
13. Fixer le **support de plafond** sur la **SURFACE DU PLAFOND** à l'aide de quatre **vis** et des fentes en ovales. Avant de serrer les **vis**, ajuster le **support** si nécessaire pour vous assurer qu'il est monté parallèlement à l'**ÉCRAN DE FRAPPE**/réseau. Ne pas serrer excessivement.



14. Fixer en vous servant de vos deux main votre **Trackman iO** en le soulevant de biais vers le **support de plafond** et en le poussant en place jusqu'à ce que vous entendez un clic. Ne relâchez pas l'appareil tant que vous n'êtes pas sûr que le verrou s'est bien engagé.



IMPORTANT Tenir le **Trackman iO** avec précaution dans les deux mains lorsqu'on le fixe dans le support.

15. Maintenant il faut terminer l'installation. Passer à la section « **Mise en marche de votre Trackman iO** ».

TYPE DE FIXATION B

PROCESSUS DE MONTAGE

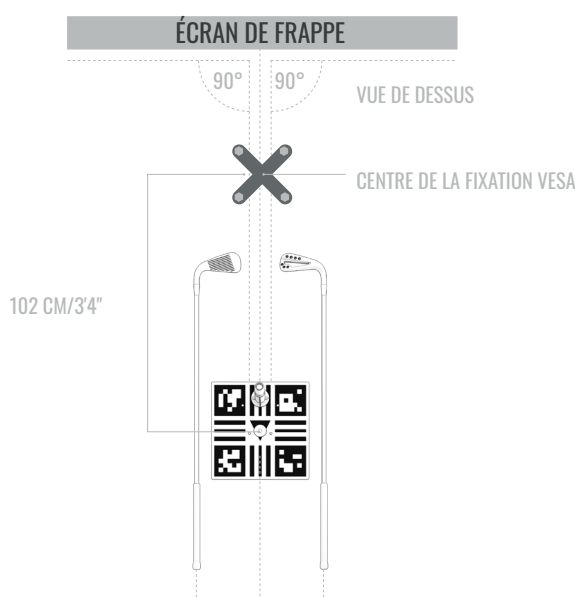
AVANT DE COMMENCER : Les étapes suivantes vous montreront comment utiliser l'emplacement préférentiel de votre **marqueur tee** pour déterminer la position correcte de la **fixation VESA (100 x 100)** sur la **SURFACE DU PLAFOND**. Pour de meilleurs résultats, la tige/le support réglable sur la **fixation VESA** doit être réglé(e) à la hauteur de montage recommandée de 295 cm/9'8". Veuillez lire attentivement ces instructions et vérifiez soigneusement vos mesures pour vous assurer qu'elles sont conformes aux directives.

RECOMMANDATIONS : Il est préférable que ce processus soit réalisé par deux personnes.

1. Placer le **marqueur tee** sur la position de la balle/tee préférée sur la **ZONE DE FRAPPE** à au moins 250 cm/8'2" de l'**ÉCRAN DE FRAPPE**/net. Si votre **ZONE DE FRAPPE** le permet, veuillez utiliser un tee pour fixer la position du **marqueur tee**.

IMPORTANT Ne pas retirer le **marqueur tee** tant que le processus de montage n'est pas terminé.

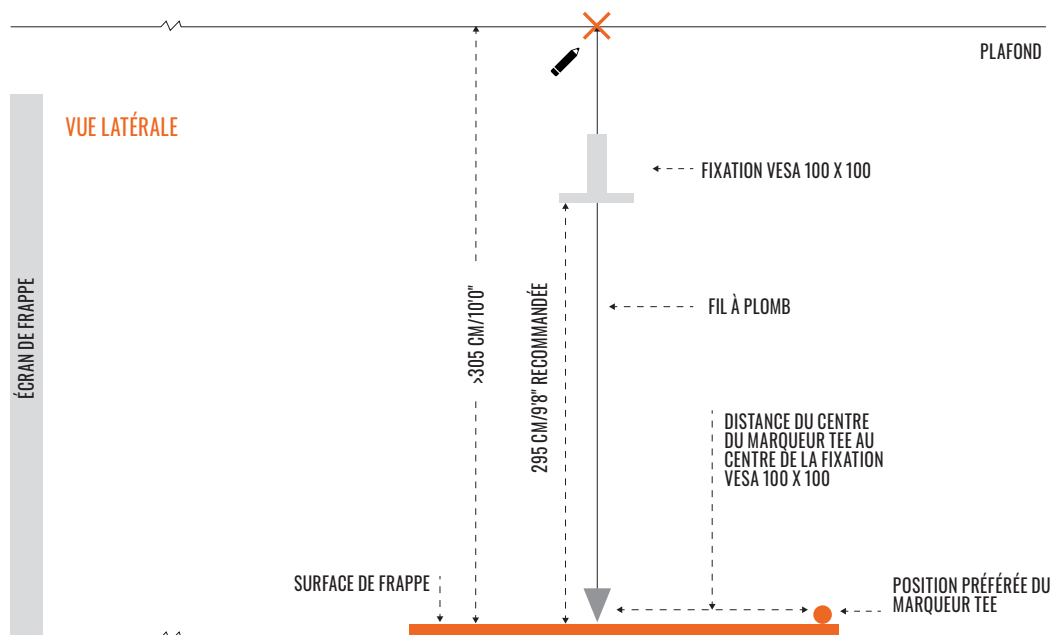
2. Placer le **panneau d'étalonnage** sur la **ZONE DE FRAPPE** avec le **marqueur tee** au centre. À l'aide de deux **clubs de golf** ou **baguettes d'alignement** de chaque côté du **panneau d'étalonnage**, aligner le **panneau d'étalonnage** avec le point cible préféré sur l'**ÉCRAN DE FRAPPE**/net. Généralement, le point cible est le centre vertical de l'**ÉCRAN DE FRAPPE**/réseau.
3. Mesurer, à partir du centre du **marqueur tee**, 102 cm/3'4" dans la direction du point cible sur l'**ÉCRAN DE FRAPPE**/réseau. Marquer cet emplacement d'un X. Cet emplacement représente le centre de la **fixation VESA** qui sera installée au plafond directement au-dessus.



IMPORTANT Demander à une personne de vous aider en soutenant l'échelle pour des raisons de sécurité.

4. Montez sur l'échelle jusqu'à ce que vous puissiez atteindre confortablement et en toute sécurité la surface du plafond. Utilisez un fil à plomb (voir **REMARQUE** ci-dessous) tendu entre la surface du plafond et la **ZONE DE FRAPPE** pour identifier l'emplacement directement au-dessus du X marqué à l'étape 3. Marquez cet emplacement sur la surface du plafond en utilisant un X.

REMARQUE : Un **fil à plomb**, également appelé **fil de plomb**, est une longueur de fil ou de ficelle à l'extrémité duquel/de laquelle est fixé un poids, ayant généralement une extrémité pointue. Il est utilisée comme ligne de référence verticale. Vous pouvez également utiliser un niveau laser. (Si vous n'avez pas accès à l'un ou l'autre de ces outils, vous pouvez utiliser un mètre-ruban très résistant ; tenez l'extrémité du ruban contre la **SURFACE DU PLAFOND**, puis étendez l'étui jusqu'à la **ZONE DE FRAPPE**. Si vous utilisez cette méthode, vous devez également utiliser un niveau pour vous assurer que le ruban est vertical.)



- Placez la base de fixation VESA sur la **SURFACE DU PLAFOND** de manière à ce que le centre de la tige réglable s'étende à partir du centre du repère X indiqué à l'étape 4. Fixez la base de fixation VESA à la **SURFACE DU PLAFOND** en suivant les instructions du fabricant.
- Régler la tige sur la **fixation VESA** de sorte que le support à rattacher à votre **Trackman iO** soit réglé à la hauteur de montage recommandée de 295 cm/9'8" comme indiqué dans le tableau 2 (voir NOTICE ci-dessous).

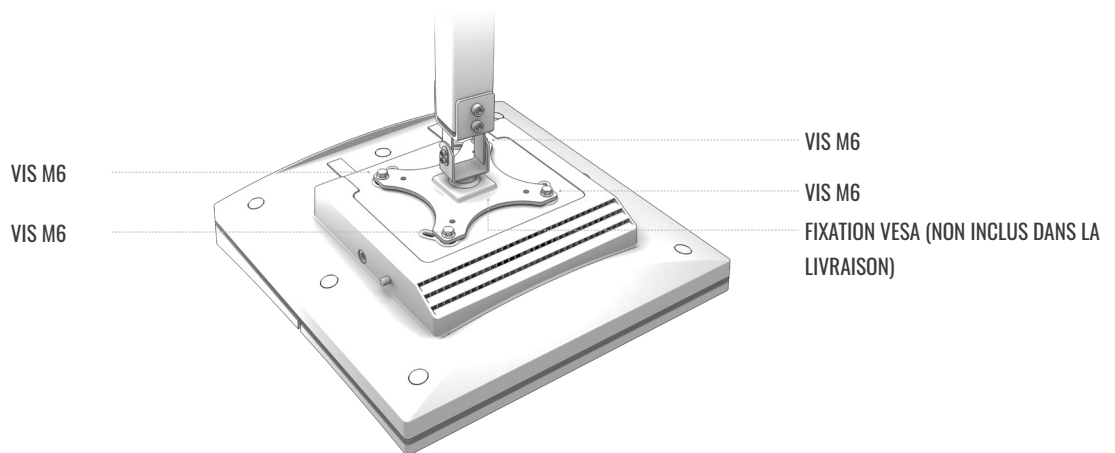
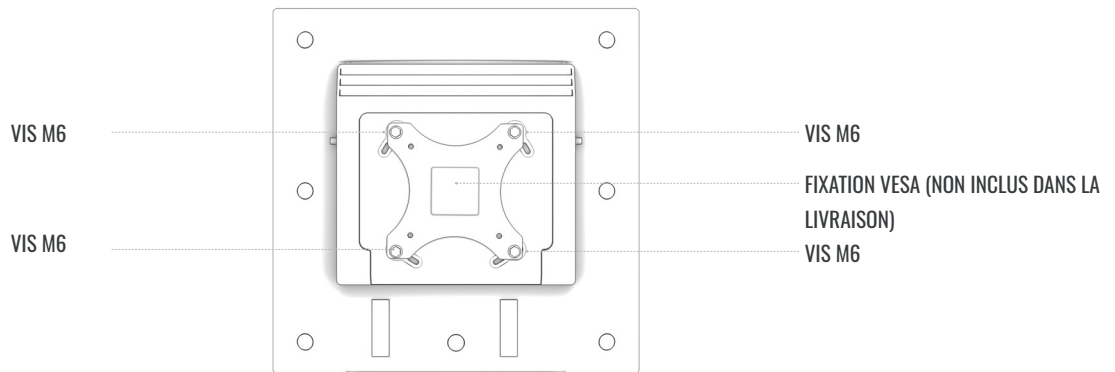
REMARQUE : Le tableau 2 montre la relation entre la hauteur de montage et la position correcte du **marqueur tee** sur la **SURFACE DE FRAPPE**. Veuillez noter que si la hauteur de montage est supérieure ou inférieure à celle recommandée (mais toujours conforme aux directives), vous devrez peut-être ajuster légèrement la position du **marqueur tee**. Si votre **Trackman iO** n'est pas installé conformément aux directives mentionnées dans le tableau 2, il se peut qu'il ne fonctionne pas correctement.


Distance du centre du marqueur tee au centre de la fixation VESA		Hauteur de montage (cm)/(pi/po)		Commentaires
cm	pi/po	cm	pi/po	
105	3'5"	305	10'0	au maximum
102	3'4"	295	9'8"	recommandé
98,5	3'3"	285	9'4"	au minimum

Tableau 2 Distance entre le Marqueur Tee et le centre de la fixation VESA

IMPORTANT Demander à une personne de vous aider à fixer les 4 vis M6 en tenant des deux mains le **Trackman iO**.

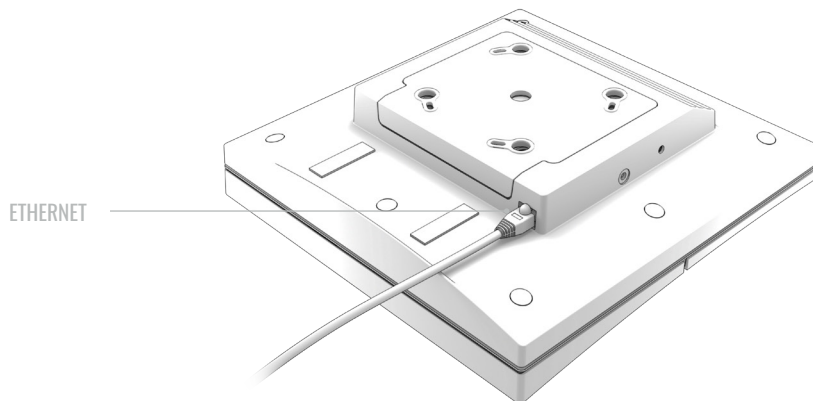
7. Rattacher votre **Trackman iO** sur le support de la **fixation VESA** à l'aide des **4 pièces fournies. vis M6** fournies et bien serrer.



8. S'assurer que la **fixation VESA** est disposée à l'horizontale  votre **Trackman iO** soit aligné avec l'**ECRAN DE FRAPPE**.

MISE EN MARCHÉ DE VOTRE TRACKMAN iO

1. Une fois que votre **Trackman iO** est solidement monté, branchez le **câble Ethernet** au port Ethernet.

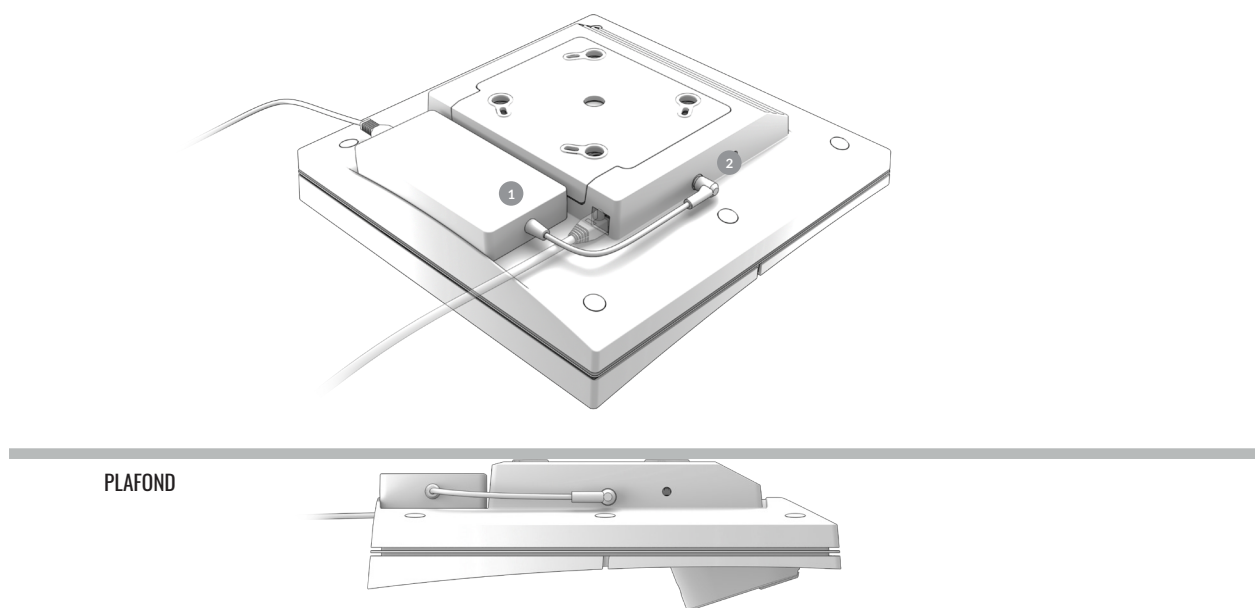


IMPORTANT

Si votre **Trackman iO** est monté directement au plafond, soyez prudent car l'espace sera limité lorsque vous brancherez le **câble Ethernet**.

2. Brancher l'**adaptateur secteur CA/CC** à votre **Trackman iO**.

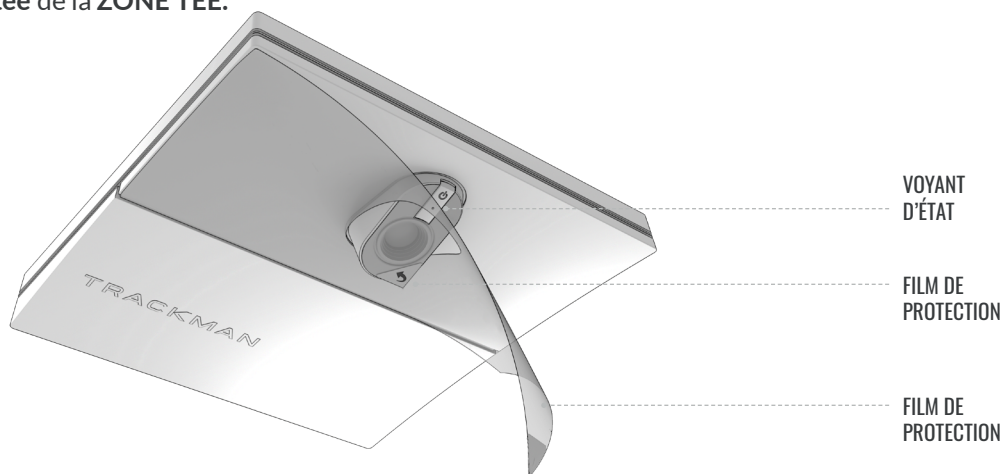
- Brancher le câble d'alimentation principal à l'**adaptateur CA/CC**.
- Placer l'adaptateur sur la tablette du **Trackman iO** ¹.
- Brancher le connecteur CC dans la fiche secteur CC sur le côté du **Trackman iO** ².
- S'assurer que l'adaptateur est fixé à votre **Trackman iO** à l'aide des bandes velcro.



IMPORTANT

S'assurer de débrancher l'**adaptateur CA/CC** avant de démonter le **Trackman iO**.

3. Enlever maintenant les films de protection à l'avant et les lentilles de votre **Trackman iO**. Vous pouvez maintenant aussi retirer le **marqueur tee** de la **ZONE TEE**.

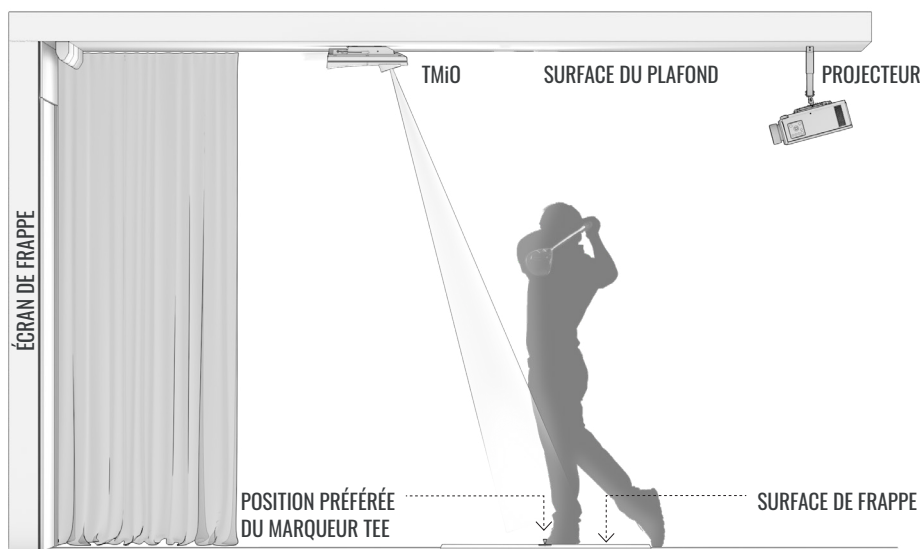


4. Brancher la fiche secteur de l'**adaptateur CA/CC** sur une prise de courant appropriée et votre **Trackman iO** s'allumera. Les voyants d'état affichent l'état actuel comme indiqué dans le tableau 3.

État		
Démarrage	Clignote en vert	
Opérationnel (aucun PC connecté)	Pulse en vert	
Actif (PC/TPS connecté)	Vert fixe	
Mode récupération	Clignote en vert/rouge	
Pas de connexion réseau	Clignote en jaune	
Erreur	Clignote en rouge	

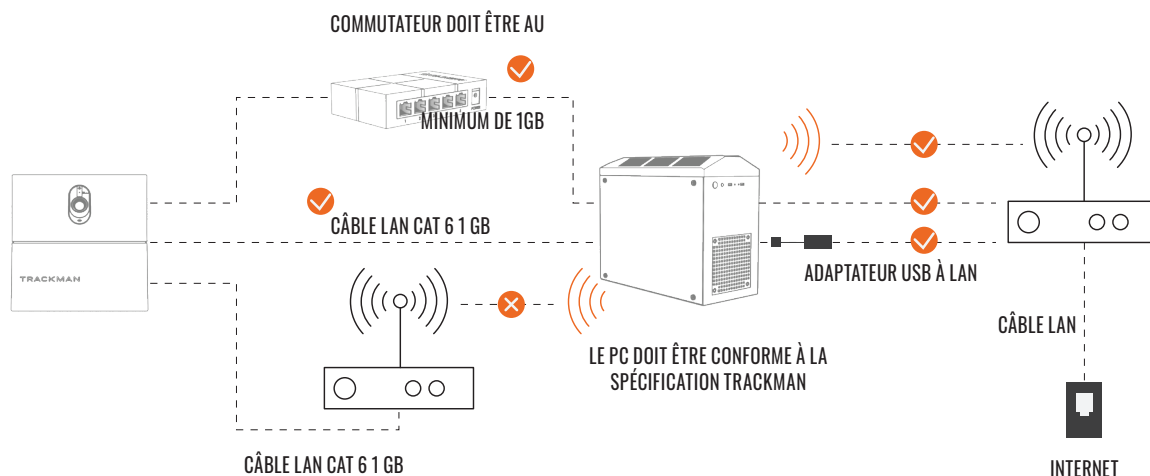
Tableau 3. Le voyant d'état Trackman iO

VOTRE PIÈCE DE SIMULATEUR INSTALLÉE



IMPORTANT Votre **Trackman iO** doit être orienté comme indiqué ci-dessus.

CONNECTER VOTRE TRACKMAN iO À UN PC ET À INTERNET



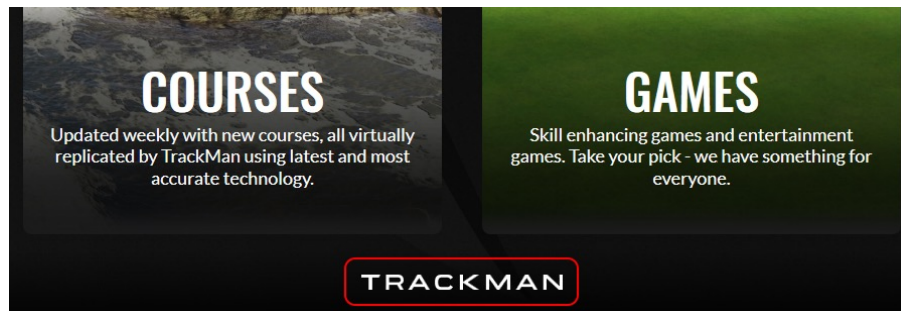
Configuration minimale requise pour le PC et connexion internet recommandée pour le téléchargement. Pour plus d'informations, veuillez consulter <https://www.Trackman.com/support>

INSTALLATION TPS (9,2 OU VERSION ULTÉRIEURE)

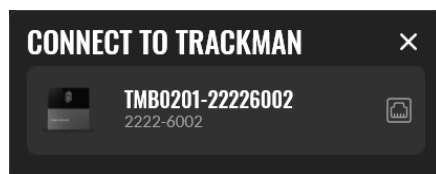
1. S'assurer que Windows est à jour.
 - Continuer à installer toutes les mises à jour en attente, puis appuyer sur le bouton Recherche de mises à jour sur la page des paramètres de Windows Update jusqu'à ce que plus aucune mise à jour ne soit disponible. Redémarrer si nécessaire.
- 2: installer la version TPS à partir de la clé USB.

CONNEXION À VOTRE TRACKMAN iO

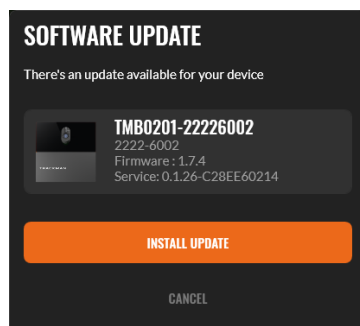
1. Éteindre tout autre dispositif Trackman normalement connecté au système pour éviter toute connexion automatique du TPS.
2. Démarrer TPS et attendre le téléchargement
3. Cliquer sur le logo Trackman en bas de l'écran.



4. Un écran devrait s'afficher, indiquant que le Trackman iO est disponible.



5. Le sélectionner.
7. Il se peut qu'un écran s'affiche pour vous informer d'une mise à jour de la licence de l'appareil. **Appuyer sur OK.**
8. Un écran devrait s'afficher pour vous informer qu'une mise à jour du logiciel pour l'appareil est disponible.



9. Appuyer sur le bouton et attendre que TPS télécharge le logiciel sur l'ordinateur.

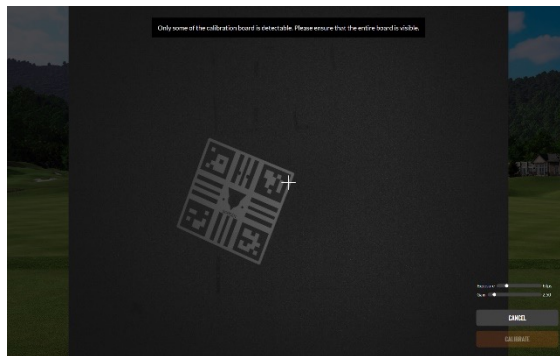
ÉTALONNAGE DE VOTRE TRACKMAN iO

Votre Trackman iO doit être étalonné pour connaître sa position dans la pièce par rapport à la **ZONE TEE** et **ÉCRAN DE FRAPPE**.

Une fois connecté à votre Trackman iO, un écran devrait s'afficher montrant une image de l'une des caméras de votre Trackman iO.



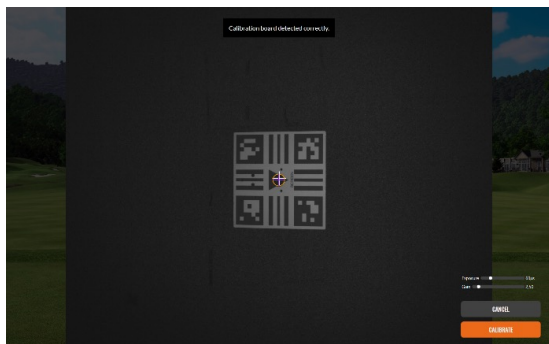
Caméra d'alignement montrant l'ÉCRAN DE FRAPPE



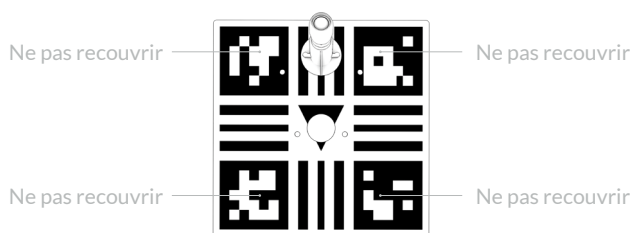
Caméra principale montrant la ZONE TEE

Si votre Trackman iO n'a jamais été étalonné auparavant, il affichera automatiquement une vue de la **ZONE TEE**

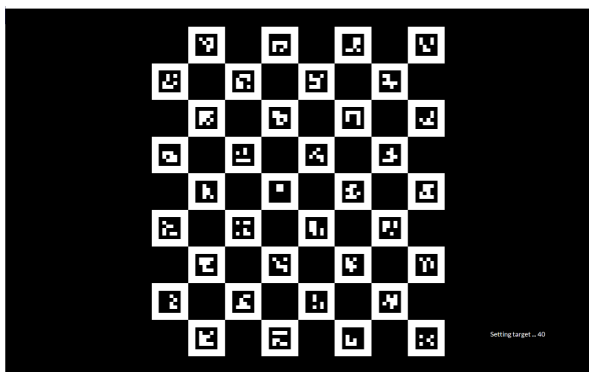
- 1 : Est-ce que la **ZONE TEE** s'affiche ?
 - a. Non : Appuyer sur « Étalonner »
 - b. Oui : Continuer
- 2 : Placer le **panneau d'étalonnage** fourni sur le plancher et le positionner au centre de l'image. Lorsqu'il est placé correctement, vous verrez deux croix à l'intérieur du trou dans le panneau. La position du trou indique l'emplacement optimal du **marqueur tee**.



- 3 : Appuyer sur « Étalonner »
- 4 : Ramasser le **panneau d'étalonnage** et le maintenir contre **L'ÉCRAN DE FRAPPE** sans recouvrir les quatre marqueurs de coin sur le **panneau d'étalonnage**. Il faut maintenant étalonner la distance entre la **POSITION TEE** et **L'ÉCRAN DE FRAPPE**.



- 5 : Appuyer sur le bouton de ciblage automatique et attendre que TPS puisse localiser le centre de l'ECRAN DE FRAPPE.
Les motifs suivants apparaîtront sur un ou plusieurs de vos écrans jusqu'à ce que TPS trouve le bon.



- 6 : Appuyer sur « Continuer »
Vous êtes maintenant prêt à utiliser votre **Trackman iO** avec TPS.

RECOMMANDATIONS POUR LES VIS DE FIXATION

Type	Diamètre	Longueur	Environnement
Vis	4 mm	30 mm	Fixation au plafond Bois, plâtre et béton
Chevilles	6 mm	35 mm	fixation VESA 100 x 100 (Support)
Vis	6 mm	12 mm	fixation VESA 100 x 100 (tige)

ÉQUIPEMENT ÉLECTRIQUE

Le système peut être utilisé avec les deux équipements électriques de type A. Dans les deux cas, la prise de courant doit être installée à proximité de l'équipement, être facilement accessible et doit toujours comporter une mise à la terre.

Pour l'équipement électrique de type A, la protection lors du montage doit être de 20 A au maximum (États-Unis, Canada, Japon), 13 A au maximum Royaume-Uni, UE).

MISES À JOUR ET VIDÉO DE MONTAGE

Les futures mises à jour de ces instructions peuvent être téléchargées à l'adresse suivante:
<https://www.Trackman.com/support>.

Numériser le code QR pour visionner une vidéo de montage animée.
Vous pouvez également trouver la vidéo à l'adresse www.trackman.com/support.

